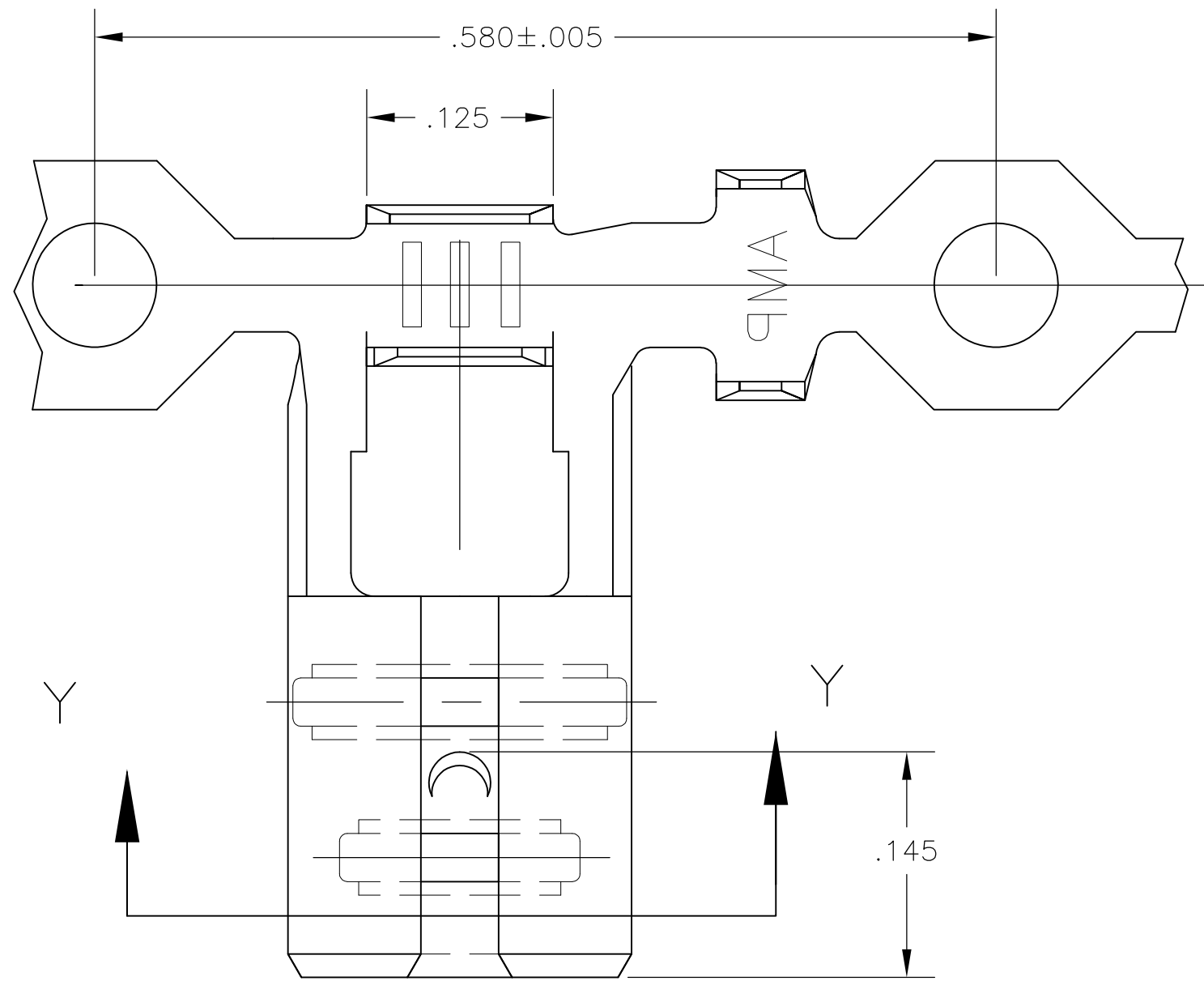
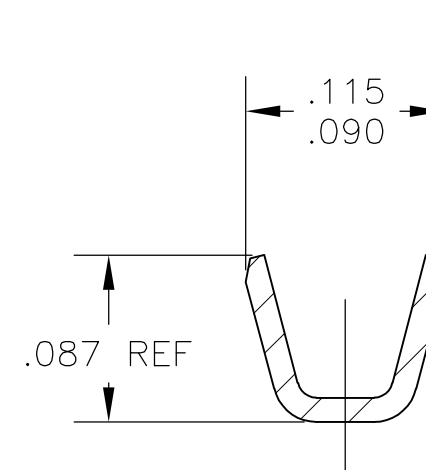


THIS DRAWING IS UNPUBLISHED. RELEASED FOR PUBLICATION
 © COPYRIGHT BY TYCO ELECTRONICS CORPORATION. ALL RIGHTS RESERVED.

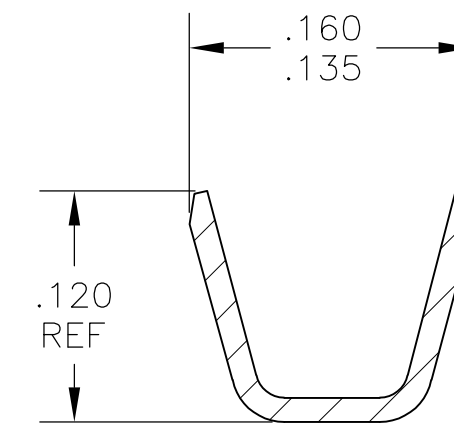
LOC	DIST	REVISIONS			
P	LTR	DESCRIPTION	DATE	DWN	APVD
AF	14	B1	REVISED PER ECR-08-018162	24JUL08	HMR PD



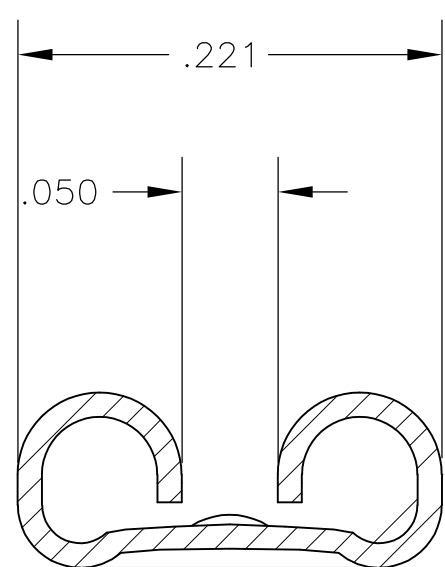
- 1 CONTINUOUS STRIP ON REELS
- 2 WIRE SIZE IS 22-18 AWG
- 3 INSULATION RANGE IS .060-.110 DIA.
- 4 MATING TAB THK IS .020±.001



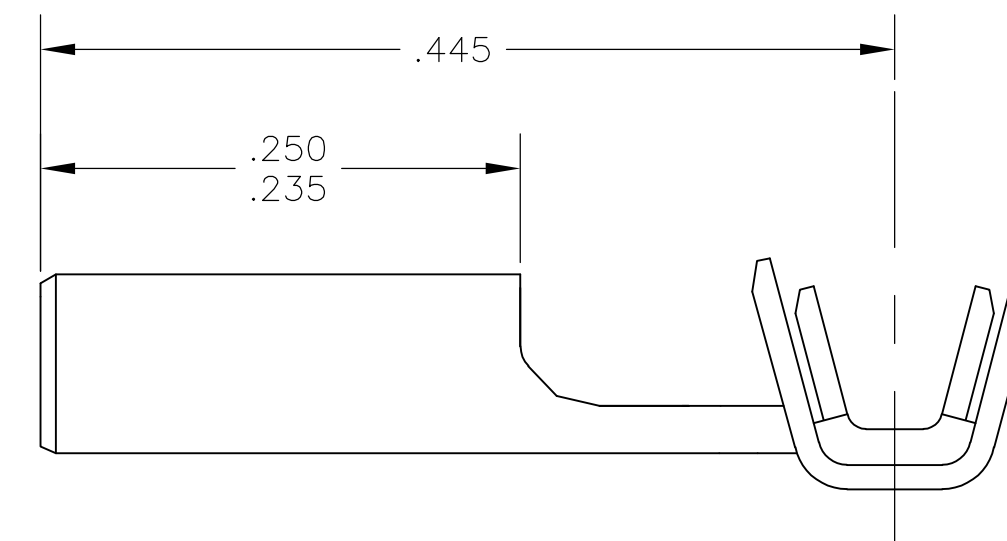
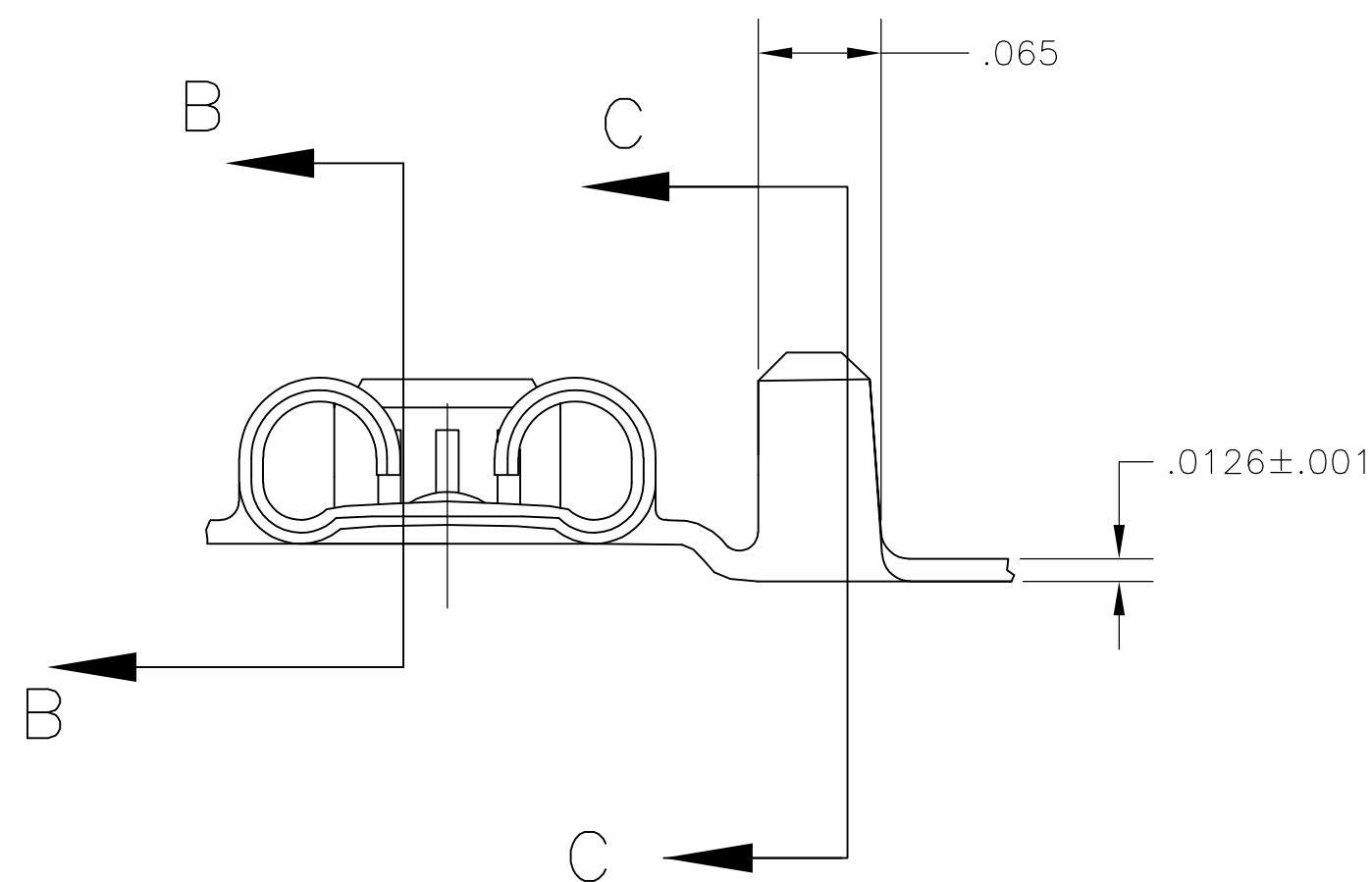
SECTION B-B



SECTION C-C



SECTION Y-Y



.000080 MIN TIN	1742086-2
PLAIN	1742086-1
FINISH	PART NO

THIS DRAWING IS A CONTROLLED DOCUMENT.		DWN	JR RUTH	04mar04	Tyco Electronics Corporation Harrisburg, Pa 17105-3608
DIMENSIONS: INCHES		CHK	P DESANTIS	04MAR04	
TOLERANCES UNLESS OTHERWISE SPECIFIED:		APVD	P DESANTIS	04MAR04	
0 PLC ± - 1 PLC ± - 2 PLC ± - 3 PLC ± .010 4 PLC ± - ANGLES ± 2°		PRODUCT SPEC	RECEPTACLE, FASTON, FLAG, .187 SERIES		
MATERIAL	H04 BRASS	FINISH	-	WEIGHT	-
CUSTOMER DRAWING		SCALE	10:1	SHEET	1 OF 1
		SIZE	A2	CAGE CODE	00779
		DRAWING NO	1742086		RESTRICTED TO
		REV	B1		